

OUR FULL RANGE OF SOLAR LIGHTS

ROMA

The **Roma** takes brightness to the next level with a **20 times bulb brightness over a standard solar light**. Capable of illuminating an area up to 7m (23 feet) in diameter and using SmartTime™ technologies, a 'Nichia' bulb and eco friendly Lithium ion battery, Roma is the only choice where nothing but the best will do! Supplied with stainless steel ground fixings and four pegs for staking into soil or grass. An excellent choice for patios, decks, driveways, paths, municipal walkways, car parks etc.



VENETIAN

Venetian is an ideal light for many areas of the garden. Constructed from the best materials, Venetian delivers a beautiful glow if more subdued lighting is required. It uses a single NIMH, AA rechargeable battery (supplied) which gives long term performance of approximately two years and can be easily replaced. The right choice for accent lighting.



TORINO

Torino delivers the ultimate in illumination and its brightness can truly be compared with many mains low voltage garden lights. Benefiting from performance enhancing SmartTime™ technologies, a high power Lithium-ion battery and an incredible 6 bulb light cluster, Torino is a must for areas where a greater spread of light is necessary. Torino's lightpool is 2.5m (8') in diameter and is perfect for paths, driveways, patio edges or by ponds. Looks wonderful if used to create light on a favoured specimen shrub.



MURANO

Murano blends modern technology with centuries old skill of hand blowing glass. Each unique glass globe contains luminescent crystals which, once dark, give a wonderful glow but when you add in a super bright LED bulb powered by our state of the art solar cell, the effect is truly wondrous. Once dark both **Aqua** and **Midnight** globes appear to magically float in the air. **Terra** is a great twist on the Murano theme – still made from heavy duty glass, the globe has an attractive "crazed" appearance. **Sunset**, like Terra, has a "crazed" appearance and at night, its multi-coloured bulb glides through green to blue to amber.



SOLARMATE UTILITY LIGHT RANGE

SolarMate Point 5 provides class leading brightness using an impressive 10 x super bright white LED light housing, enabling it to illuminate an area of 9sq m for up to 3 hours per day. Quick and easy to assemble, SolarMate Point 5 is ideal for sheds, summer houses or when camping. Include all fixings. Rechargeable batteries included.

SolarMate Secure 1 is a high quality movement activated security light. SolarMate Secure 1 uses 3 x double sized LED's for intense brightness capable of flooding an area of 5m with light. SolarMate Secure 1 has a fully adjustable lamp head for optimum orientation and its PIR sensor has variable burn time and sensitivity settings. Include all fixings. Rechargeable batteries included.

SolarMate Secure Professional is the ultimate PIR movement activated security light and has been designed for busy domestic or commercial locations such as public passageways, forecourts, car parks, driveways etc. Using a powerful 2.5 watt solar panel and a 45 LED light unit ensures an area of 100sq m can be flooded with light. SolarMate Secure Professional has a fully adjustable lamp head for optimum orientation and its PIR sensor has variable burn time and sensitivity settings. Include all fixings. Rechargeable batteries included.

SolarMate I & II are mains-free lighting solutions for remote locations such as workshops, stables, summer houses, garden offices, garages or sheds. The SolarMate range provides mains quality interior lighting at a fraction of the cost of installing a grid connection. Both SolarMate I and II include a premium crystalline solar panel, all fixings, fuses, switches and cable, energy saving light bulbs, wall switch and, of course, detailed assembly instructions.



Solar

TECHNOLOGY INTERNATIONAL

Solar Technology International Ltd.

Unit 4-6, Station Drive, Bredon, Glos GL20 7HH, UK
Tel: +44 (0) 1684 774000 Fax: +44 (0) 1684 773974
Email: support@solartechnology.co.uk

SOLAR GARDEN LIGHT INSTRUCTIONS

Trento



Part No SM43401

IMPORTANT: PLEASE READ BEFORE FIRST USE

Thank you for purchasing this premium Solar Mate Trento Light. It is made using the finest materials and incorporates leading edge technology to provide outstanding performance and beauty. After all, we have our motto to live up to.....brighter for longer!

How Trento solar garden light works

During the day the solar panel on the top the Trento garden light converts sunlight and daylight into electricity which in turns recharges its internal battery. At dusk, the Light Emitting Diodes (LEDs) will turn on automatically and will be powered for up to 6 hours by the battery. The Trento garden light comes complete with a pre-installed solar rechargeable battery. This should be replaced when the charging ability is decreased and should last for approximately two years.

Choosing a location for the Trento solar garden light

The location, weather conditions and the seasons will affect the number of hours the LED's are illuminated for. Ideally the Trento solar garden light should receive 8 hours of full sunlight, which will enable it to illuminate for up to 6 hours. If the Trento light is placed in a shaded location the battery will not charge fully, reducing the hours of night-time illumination.

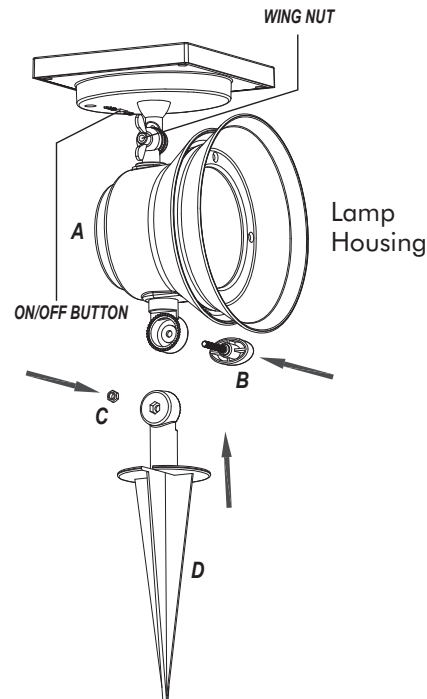
How to assemble the Trento solar garden light

Attach lamp housing (A) to ground spike (D) using parts (B) & (C) by inserting screw (B) into the hole on the lamp housing (A). Insert nut (C) into the hole on ground spike (D). Align the holes on lamp housing and ground spike then tighten screw (B) until secure. To adjust the lamp head, loosen screw (B) and position the lamp head. When the desired position is achieved, tighten screw (B) until secure. To adjust the solar panel, loosen the wing nut and position the panel. When the desired position is achieved, tighten wing nut until secure. Carefully insert ground spike into the ground where desired. Push the stake into the ground until the top collar is even with the ground surface.

Note - if the ground is hard and packed, moisten the ground with water before inserting the stake to avoid breakage.

Note - some parts may come pre-assembled.

Note - under no circumstances push down on the lamp head as both damage to the light and personal injury may occur.



First time use of the Trento solar garden light

Ensure the switch, located under the solar cell, is in the OFF position and locate Trento outside in the desired location. Leave it turned OFF for two days to allow the solar cell to fully charge the battery. Once the light has been in the sun for a few days sufficient energy will have been stored in its battery. After this period turn the switch to the ON position.

At dusk the Trento will then switch ON automatically and will burn for as long as there is power in its battery and then it will switch OFF, ready to be charged up (by its solar cell) the following day ready for illumination the next evening.

Trento incorporates Solar Mate's unique SmartTime Technology. This is a built in timer that allows Trento to switch on automatically at dusk but then will be limited to a maximum burn time of 6 hours. The benefit of this is that it ensures a more consistent nightly burn time.

Tips for using the Trento solar garden light

- Do not place the Trento garden light near night time light sources such as street lights or flood lights as this may cause the lights to turn off at night.
- To prolong the life of the Trento solar garden light and reduce the risk of corrosion, install away from salty, corrosive or highly fertilised areas.
- Ensure that you do not scratch the surface of the solar panel and ensure that you keep the surface free of dust and debris at all times.
- The LED's in the Trento garden light is not replaceable and should never be tampered with.
- To clean the solar garden light, wipe over using a soft, damp cloth.
- If the evening burn time of Trento starts to decrease you can re-set the battery by switching OFF for a couple of days and then turning ON again.

Note - Trento will only illuminate when the switch is in the ON position. Whether the switch is ON or OFF the solar cell will continue to charge the internal battery. When the switch is ON, the bulb will only illuminate when it is dusk or dark. A test can be made by taking the light into a dark room.

Replacing the battery in Trento solar garden light

1. Remove the four screws from the top section using a phillips head screwdriver.
2. Remove the battery and replace with a new rechargeable battery of the same type. Replacement batteries can be purchased from Solar Technology International Ltd at www.solartechology.co.uk.
3. The Trento battery is a special size 3.2V 1000mAh battery, Part No. L-1000mah (One needed per Trento Light)
4. Reverse the above procedures and position the lamp back in the garden.
5. Go through the process described in 'First Time Use' shown above.

Warranty

Solar Technology International Ltd garden lights are supplied with a 24 month warranty, excluding the batteries. Should a failure occur during this time Solar Technology International Ltd will repair or replace any faulty parts, at its discretion. Solar Technology International Ltd does not accept any liability for any 3rd party damage how so ever caused or any costs associated with the return postage of faulty products.

These warranty conditions in no way affect your statutory rights. A full set of Solar Technology International Ltd terms and conditions are available on request.